



KONICA MINOLTA

AeroDR

PORTABLE SOLUTION

Konica Minolta's new portable upgrade kit efficiently turns your current portable x-ray system into a digital wireless solution.

The lightweight and cable free operation of the Aero DR wireless digital flat panel detector system allows for easy patient and image detector positioning while reducing patient discomfort and stress during portable procedures. The Aero DR portable imaging console allows for the ability to QC the X-ray to determine if re exposure is needed prior to leaving the patients side. The built in Aero DR roaming feature allows any Aero DR panel to be shared between portable use and also use in other general radiography rooms. The design of the Aero DR also makes it ideal for use in surgery and operating room environments.



What is the AeroDR Portable Retrofit Unit?

The Aero DR Portable Retrofit system has been designed to quickly, easily and inexpensively turn your current portable X-ray unit into a digital wireless solution. This unit has a very small footprint (384mm x 384mm x 72mm) and is small enough to be installed and stored inside the cassette storage bin. It is completely self contained and includes two long life batteries for self powering operation.



Supported models : GE's AMX-4 and AMX-4 Plus, Siemens' Mobilett
※ In some cases, it can be used along with other portable X-ray systems. Please contact your Konica Minolta sales representative for more details.

Control Station CS-7 Portable

The CS-7 portable control station features the same powerful yet easy to use imaging software environment as found on the CS-7 control station used in general radiography rooms. This common user interface delivers a familiar tool that ensures the same outstanding image quality and usability regardless of imaging application. Image preview is delivered in approximately 3 seconds and can be viewed prior to leaving the patient's side. The CS-7 portable controller can be mounted onto supported portable units using the supplied custom mounting hardware.



The essentials of imaging

AeroDR Portable Retrofit Unit

Weight

6.3 kg

Operating Time

11 hours (Time of initiating the use)

Charging Time Empty to Full

Less than 10 hours off

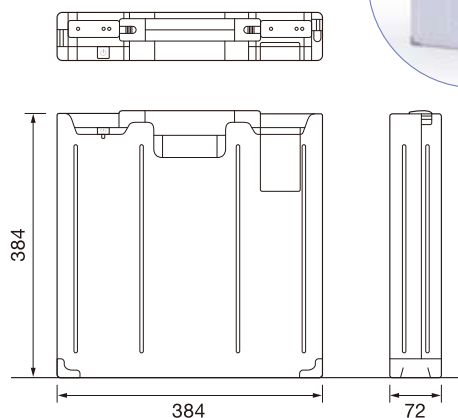
Image Display Speed

Preview display speed : approx. 3 sec.

Cycle Time

Approx. 17 sec.

Outer Dimensions



Unit : mm 1/11 scaled



Control Station CS-7 Portable

Operating System

Windows®7 Professional (32bit) SP1

CPU

Core™ i5-2520M vPro™ Processor 2.50GHz

Memory

4GB

Weight

Approx. 1.49kg (x1 battery)

User Interface

Multi touch + digitizer screen

Operating Time

Approx. 7 hours (x1 battery)

Approx. 14.5 hours (x2 battery)

Charging Time Empty to Full

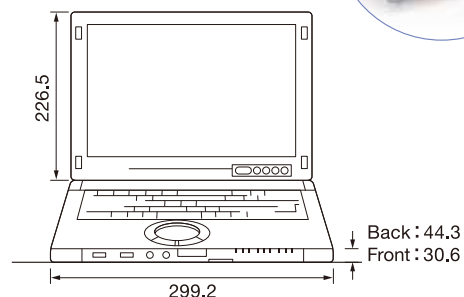
Approx. 2.5 hours off, 3 hours on (x1 battery)

Approx. 3 hours off, 4 hours on (x2 battery)

Software Features

HIS/RIS patient data access via DICOM Modality Worklist, advanced image processing, image review, image transmission, portable application and other major CS-7 functions.

Outer Dimensions



Unit : mm 1/8 scaled



- ★ Specifications are subject to change without prior notice.
- ★ The construction of the hardware varies by country.
- ★ GE is a trademark of General Electric company.
- Siemens is a trademark of Siemens Corporation.



KONICA MINOLTA

KONICA MINOLTA MEDICAL & GRAPHIC, INC.

1 Sakura-machi, Hino-shi, Tokyo, 191-8511, Japan

Distributed by :